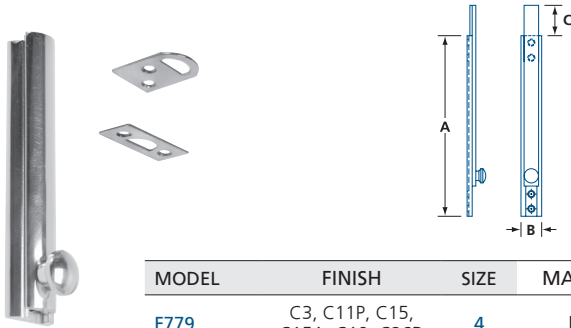


# SURFACE BOLTS

## GENERAL HARDWARE

### BRASS SURFACE BOLT

F779



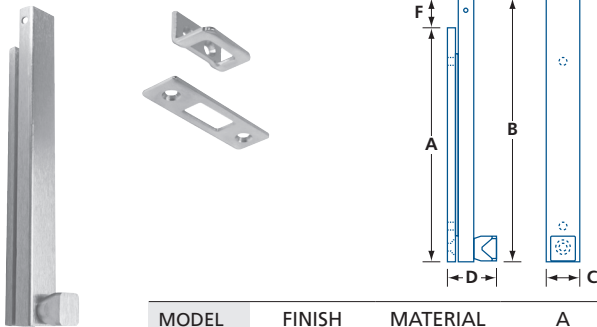
- Two keepers included
- Mounting hardware included: wood screws

MODEL	FINISH	SIZE	MATERIAL	A	B	C	/BOX
F779	C3, C11P, C15, C15A, C19, C26D	4	Brass	4 (102)	1 <sup>1</sup> / <sub>16</sub> (17.5)	7/ <sub>8</sub> (22.2)	30

IN (MM)

### 8" COMMERCIAL SURFACE BOLT

0831



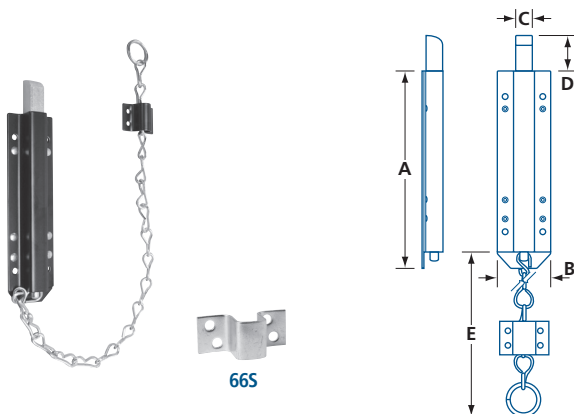
- UL listed
- Both top and bottom strikes included
- Mounting hardware included: wood screws, drywall anchors and machine screws

MODEL	FINISH	MATERIAL	A	B	C	D	E	F
0831	Satin nickel	Steel	7 (178)	8 (203)	1 (25.4)	1 <sup>1</sup> / <sub>2</sub> (38.1)	1/ <sub>2</sub> (12.7)	1 (25.4)

IN (MM)

### CHAIN BOLT

66



- Heavy-duty chain bolt
- Spring loaded
- Bolt reversible for in-swing and out-swing doors

#66S Surface strike for out-swing doors included; also available separately

MODEL	FINISH	MATERIAL	A	B	C SQ	D	E
66	Black	Steel	7 <sup>3</sup> / <sub>8</sub> (187)	2 (50.8)	5/ <sub>8</sub> (15.9)	1 <sup>5</sup> / <sub>16</sub> (33.3)	22 (559)

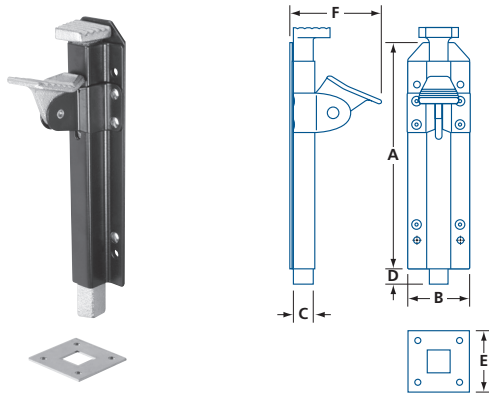
IN (MM)

# SURFACE BOLTS

## GENERAL HARDWARE

### FOOT BOLT

68



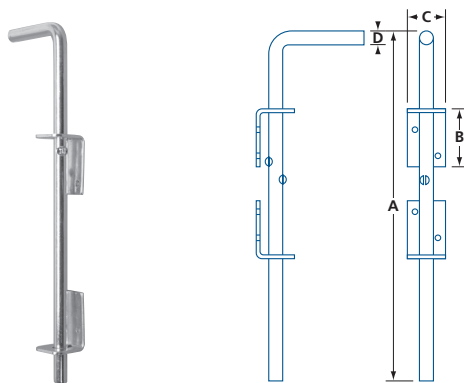
- Cast iron bolt

MODEL	FINISH	MATERIAL	A	B	C SQ	D	E SQ	F
68	Black	Steel	7 <sup>3</sup> / <sub>8</sub> (187)	2 (50.8)	5 <sup>5</sup> / <sub>8</sub> (15.9)	1 (25.4)	2 (50.8)	2 <sup>7</sup> / <sub>8</sub> (73)

IN (MM)

### 12" CANE BOLT – HEAVY DUTY

1069



- Mounting hardware included: wood screws

MODEL	FINISH	MATERIAL	A	B	C	D
1069	Zinc plated	Steel	12 (305)	2 (50.8)	1 <sup>5</sup> / <sub>16</sub> (33.3)	1 <sup>5</sup> / <sub>32</sub> (11.9)

IN (MM)

