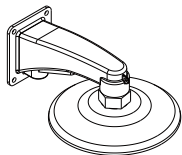


DA-MA4400 INSTALLATION MANUAL



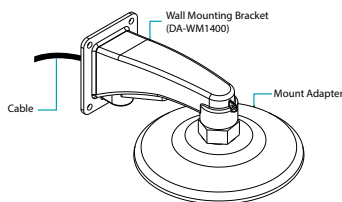
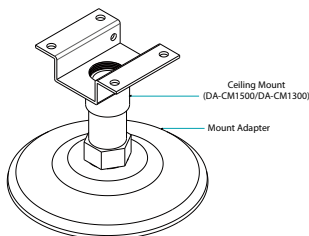
This manual is intended for users of the DA-MA4400 mounting bracket. It includes instructions for mounting DA-MA4400 to DA-CM1300, DA-CM1500, or DA-WM1400.



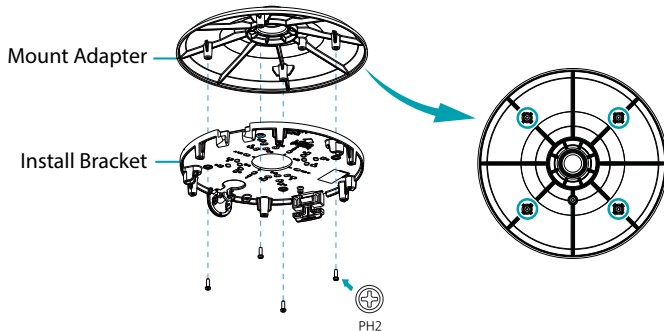
- **This bracket is intended to be used with a specific model of camera. Do not use it with other models of cameras except for those approved by the dealer or distributor.**
- **This installation should be performed by a qualified service personnel in conformance to all local codes.**
- **You may need to reinforce the ceiling. If the ceiling is not strong enough to support the camera, the camera may fall.**
- **Do not use this product for other purposes.**

Mounting

- 1 Insert cables from external devices, network and power adapter into mount adapter.



- 2 Assemble mount adapter into the ceiling mount (DA-CM1500/DA-CM1300) or wall mounting bracket (DA-WM1400) and fix it by turning the universal nut. The ceiling mount and wall mounting bracket are sold separately.
- 3 Screw the install bracket onto mount adapter.



Dimensions

Unit: mm (inch)

